

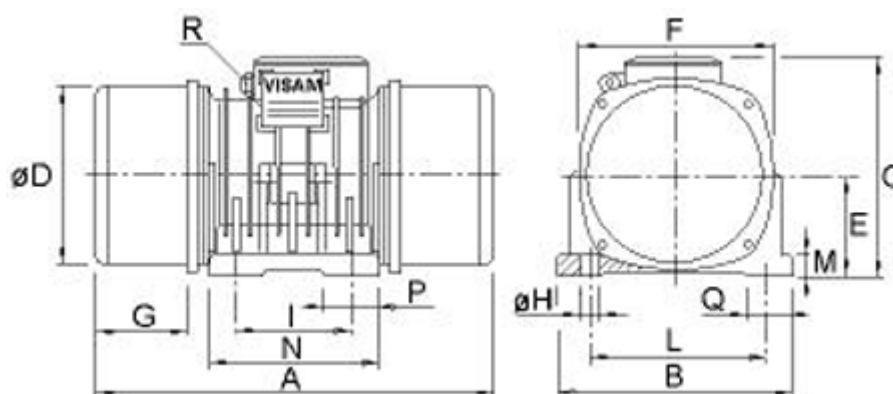
Data Sheet



Article number: 310102235006100

Description: Vibrator motor SPX-50 22.0 C 420kgcm
1000 o/m 2350kg 1,6kW 3x230-400V 50hz

Measures



A = 624	L = 230
B = 300	M = 35
C = 280	N = 300
d = 237	Number H = 4
E = 131	P = 115
G = 181	Q = 80
H = 22	R = M20x1,5
I = 165	